

Armoured Engineer Group Vehicle

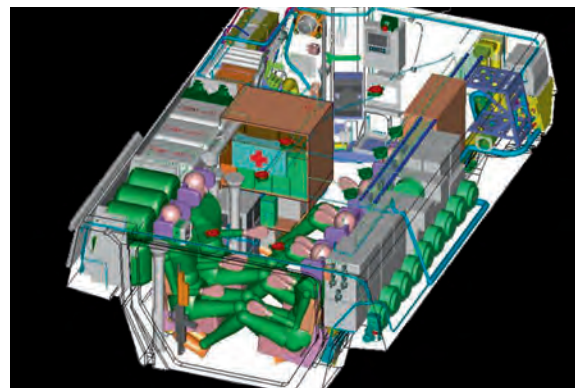
The mission changes – so does BOXER



The Armoured Engineer Group variant of BOXER will be deployed for the transport of troops and engineer group equipment. This variant enables the armoured engineer group to carry out the tactical military and other tasks assigned to them properly, under protection and over a sustained period of time. In a first batch the Dutch Army ordered 41 BOXER vehicles in the Armoured Engineer Group variant.



The Armoured Engineer Group variant has a driver, commander and gunner. It provides seating for six dismounts with space available for their personal equipment and an additional separate stowage section for munitions. It may be deployed as a support vehicle with other units or used for independent assignments such as route clearance, or as a protected work location during mine clearance or demolition operations.



The Armoured Engineer Group vehicle is very versatile and can be deployed for the following tasks:

- Transport of personal
- Transport of engineer group and group equipment
- Transport of munitions and material for engineer tasks
- Platform for the vehicle mounted weapon



Armoured Engineer Group Vehicle

Product data

Key figures

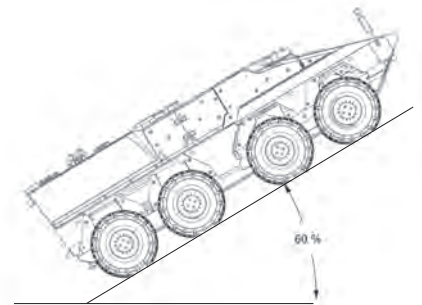
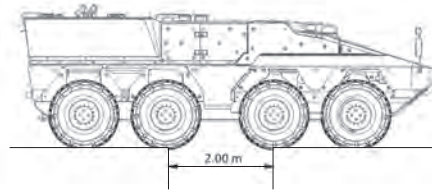
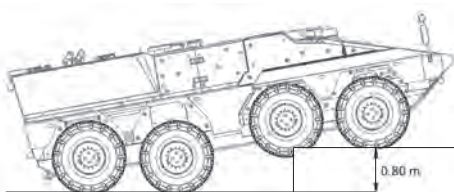
Maximum speed	103 km/h
Minimum speed	3 km/h
Engine capacity (ISO)	530 kW (720 hp)
Range	1,050 km
Max. straight gradient	60%
Max. slope gradient	30%
Trench crossing	2.0 m
Step climbing ability	0.8 m
Turning circle (skid steering)	15 m
Length	7.93 m
Width	2.99 m
Height (hull roof)	2.37 m
Ground clearance	0.50 m
Track	2.58 m
Protected volume	14 m ³

Characteristics

- Crew: 3+6 (1 driver, 1 commander, 1 weapon operator plus 6 engineering group members)
- 2,500 kg of stowage
- Separate section of transport of Class V ammunition goods in the mission module
- Additional optronic sight system for commander
- Air Condition and NBC-protection systems
- Fire extinguishing system (engine compartment)

Exemplary Options

- Navigation system
- Smoke-grenade launching system
- Rear view camera
- Fire extinguishing system (Mission Module)
- Different protection kits
- Remote controlled weapon station



ARTEC

ARTEC GMBH

Krauss-Maffei-Strasse 11 · 80997 Munich · Germany
 Tel. +49 89 892130-0 · Fax +49 89 892130-17
 mail: info@artec-muc.de · www.artec-boxer.com

ARTEC GmbH is a joint venture of
 Krauss-Maffei Wegmann and Rheinmetall Landsysteme.